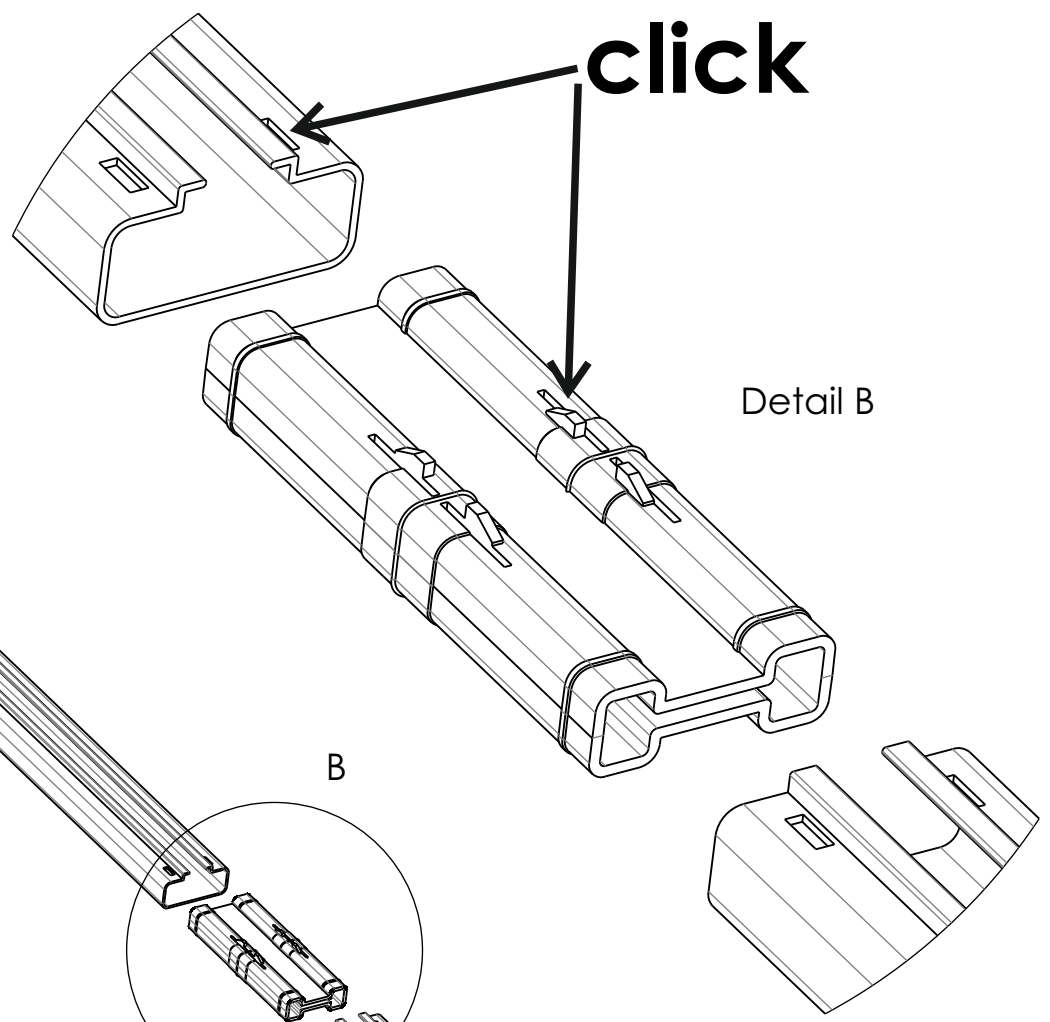
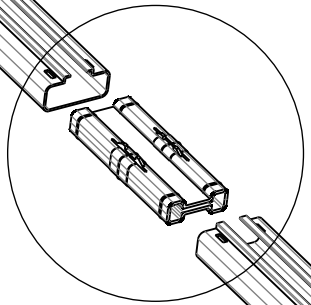


click

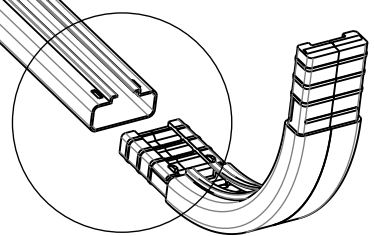


Detail B

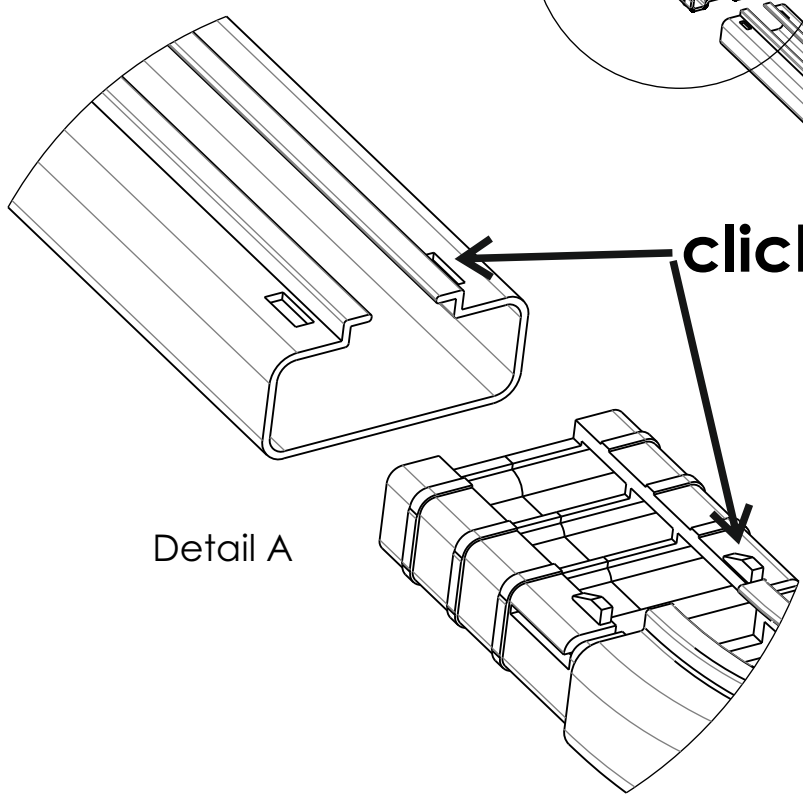
B



A



click



Detail A

