

## L-shaped shower curtain rail, BA91VC012

Serie	Duschvorhangstangen / -schienen
Typ	Duschvorhangschienen und -stangen
Material	chrome plated
Length cm	90 x 90
Richner-Nr.	4454745
Sanitas-Troesch Nr.	1713 302 501
Team Nr.	171352 501

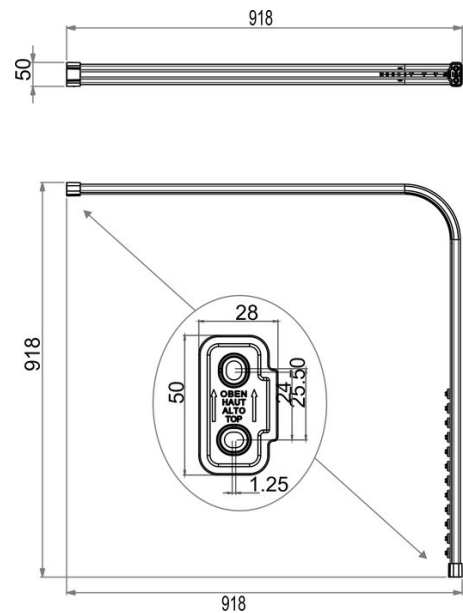
### Produktbeschreibung

BODENSCHATZ shower curtain rail, L-shaped, 90 x 90 cm, 12 glider elements, fixing material aluminium, adjustable Ceiling support recommended

### Produktabbildung



### Masszeichnung



### Pflegehinweise

Finden Sie unter [bodenschatz.ch/en-ch/service/reinigung-pflege/](https://www.bodenschatz.ch/en-ch/service/reinigung-pflege/)

## Ersatzteile & Zubehör

---

BA40IN905	Mounting set pan head screws for drilling
BA91VC037	Ceiling support for shower curtain rail
BA91VC038	Ceiling support for shower curtain rail
BA91VC039	Ceiling support for shower curtain rail
BA91VC045	Extension rail for shower curtain rails
BA91WS052	Curtain glider elements for shower curtain rails
BA91WS054	Angle adapter to shower curtain rail/ceiling supp.
BA93WS180K	Shower curtain
BA93WS180L	Shower curtain