

Soap dispenser unbreakable BPA free, BA57NG227

Serie	Nia
Typ	Seifenhalter und Seifenspender
Material	nickel brushed
Content l	0.25
Farbe	Tritan unbreakable frosted
Sanitas-Troesch Nr.	4134 245 531
Team Nr.	511191 587

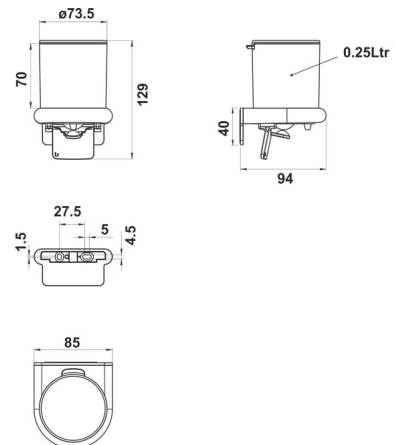
Produktbeschreibung

NIA Adesio Soap dispenser Savonnette Dispenser frosted 0.25 l unbreakable TritanBPAfree Mounting gluing or drilling incl. fixing material (without glue) Adhesive filling quantity: 1,2 ml SikaFast

Produktabbildung



Masszeichnung



Pflegehinweise

Finden Sie unter [bodenschatz.ch/en-ch/service/reinigung-pflege/](https://www.bodenschatz.ch/en-ch/service/reinigung-pflege/)

Ersatzteile & Zubehör

BA40IN840	Set of hex socket screws
BA40XX600	Starter Kit cartridge adhesive 50ml
BA40XX610	Adhesive suitcase cartridge adhesive 50ml
BA40XX612	Working Kit with cartridge adhesive 50ml
BA40XX620	Adhesive suitcase cartridge adhesive 250ml
BA40XX622	Working Kit cartridge 250ml
BA40XX630	Adhesive SikaFast Dual syringe 10 ml
BA40XX632	Working Kit Mini Dual Syringe Adhesive 10 ml
BA40XX885	Rubber membrane for Savonette soap dispenser
BA57NG925	Wall flange combination for gluing/screwing
BA57XX880	Lid
BA58XX884	Pump mechanism for Savonette soap dispenser