

## Double glass holder unbreakable BPA free, BA57SM515

Serie	Nia
Typ	Glashalter und Doppelglashalter
Material	black matt
Farbe	Tritan unbreakable clear
Sanitas-Troesch Nr.	4134 257 535
Team Nr.	511185 629

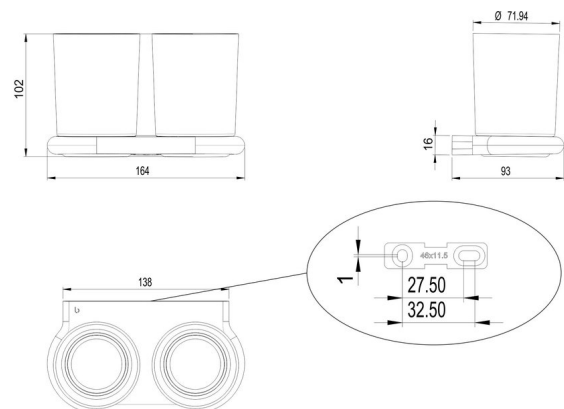
### Produktbeschreibung

NIA Adesio Double glass holder clear glass unbreakable Tritan BPA free Mounting gluing or drilling incl. fixing material (without glue) Adhesive filling quantity: 1,2 ml SikaFast

### Produktabbildung



### Masszeichnung



### Pflegehinweise

Finden Sie unter [bodenschatz.ch/en-ch/service/reinigung-pflege/](https://bodenschatz.ch/en-ch/service/reinigung-pflege/)

### Ersatzteile & Zubehör

BA40IN840 Set of hex socket screws

BA40XX600	Starter Kit cartridge adhesive 50ml
BA40XX610	Adhesive suitcase cartridge adhesive 50ml
BA40XX612	Working Kit with cartridge adhesive 50ml
BA40XX620	Adhesive suitcase cartridge adhesive 250ml
BA40XX622	Working Kit cartridge 250ml
BA40XX630	Adhesive SikaFast Dual syringe 10 ml
BA40XX632	Working Kit Mini Dual Syringe Adhesive 10 ml
BA57SM826	Plastic insert
BA57SM927	Wall flange combination for gluing/screwing
BA57XX803	Glass + container soap dispenser unbreakable