

---

## Towel holder ring form - mounting without borehole, BA40SM243

---

Serie	Universal Accessoires
Typ	Handtuchhalter und Handtuchringe
Material	black matt
Sanitas-Troesch Nr.	4133 574 535
Team Nr.	511728 629

---

### Produktbeschreibung

---

BODENSCHATZ Towel holder ring form Inner diameter ring 29mm Mounting gluing  
Adhesive filling quantity: 0.7 ml

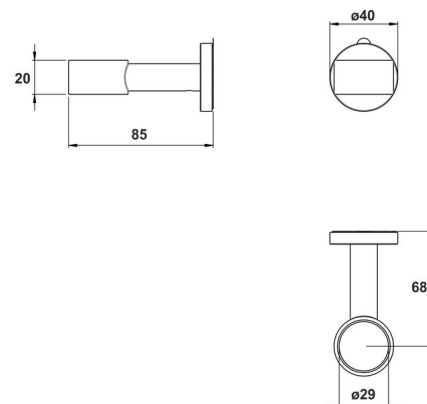
---

### Produktabbildung



---

### Masszeichnung



---

### Pflegehinweise

---

Finden Sie unter [bodenschatz.ch/en-ch/service/reinigung-pflege/](https://www.bodenschatz.ch/en-ch/service/reinigung-pflege/)

---

### Ersatzteile & Zubehör

---

BA40XX600	Starter Kit cartridge adhesive 50ml
BA40XX610	Adhesive suitcase cartridge adhesive 50ml

BA40XX612	Working Kit with cartridge adhesive 50ml
BA40XX620	Adhesive suitcase cartridge adhesive 250ml
BA40XX622	Working Kit cartridge 250ml
BA40XX630	Adhesive SikaFast Dual syringe 10 ml
BA40XX632	Working Kit Mini Dual Syringe Adhesive 10 ml