

Soap dispenser + glass holder unbreakable BPA free, BA57SM418

| | |
|---------------------|---------------------------------|
| Serie | Nia |
| Typ | Glashalter und Doppelglashalter |
| Material | black matt |
| Content l | 0.24 |
| Farbe | Tritan unbreakable clear |
| Sanitas-Troesch Nr. | 4133 960 535 |
| Team Nr. | 511904 629 |

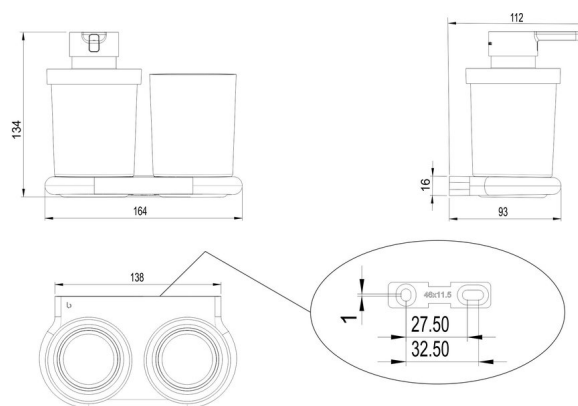
Produktbeschreibung

NIA Combi Soap dispenser + glass holder Black matt, container clear capacity 0.24 liter (max 0.27 liter) Tritan unbreakable BPA free

Produktabbildung



Masszeichnung



Pflegehinweise

Finden Sie unter [bodenschatz.ch/en-ch/service/reinigung-pflege/](https://www.bodenschatz.ch/en-ch/service/reinigung-pflege/)

Ersatzteile & Zubehör

| | |
|-----------|--|
| BA40IN840 | Set of hex socket screws |
| BA57SM826 | Plastic insert |
| BA57SM831 | Pump head |
| BA57SM832 | Dispenser pushbutton |
| BA57SM880 | Closing lid inc. sealing ring and pump |
| BA57XX500 | Replacement set for pump |
| BA57XX803 | Glass + container soap dispenser unbreakable |
| BA57XX821 | Wall fixing, set for screwing |
| BA57XX834 | Sealing ring |