

## Shelf, BA24IG162

---

Serie	Innox
Typ	Universal Artikel
Material	inox brushed
Length cm	46
Sanitas-Troesch Nr.	4134 172 523
Team Nr.	511213 583

## Produktbeschreibung

---

INNOX Shelf 46 x 9.8 x 6.2 cm Stainless steel brushed Mounting gluing or drilling incl. fixing material (without glue) Filling quantity adhesive: 2x 2 ml SikaFast

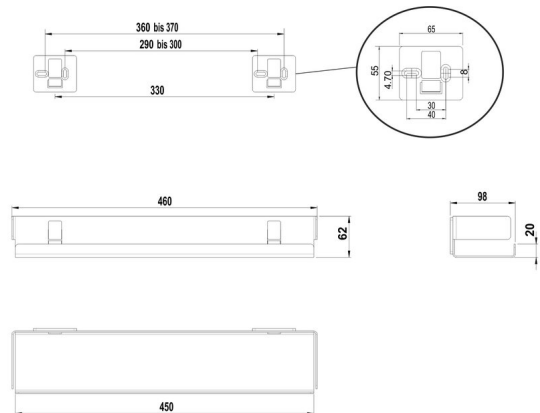
## Produktabbildung

---



## Masszeichnung

---



## Pflegehinweise

---

Finden Sie unter [bodenschatz.ch/en-ch/service/reinigung-pflege/](https://bodenschatz.ch/en-ch/service/reinigung-pflege/)

## Ersatzteile & Zubehör

---

BA24XX823      Wall flange 1-fold plastic to INNOX

BA40XX600	Starter Kit cartridge adhesive 50ml
BA40XX610	Adhesive suitcase cartridge adhesive 50ml
BA40XX612	Working Kit with cartridge adhesive 50ml
BA40XX620	Adhesive suitcase cartridge adhesive 250ml
BA40XX622	Working Kit cartridge 250ml
BA40XX630	Adhesive SikaFast Dual syringe 10 ml
BA40XX632	Working Kit Mini Dual Syringe Adhesive 10 ml
BA14VC113	Glass holder, stand model
BA14VC123	Soap holder, stand model
BA14VC128	Soap dispenser, stand model